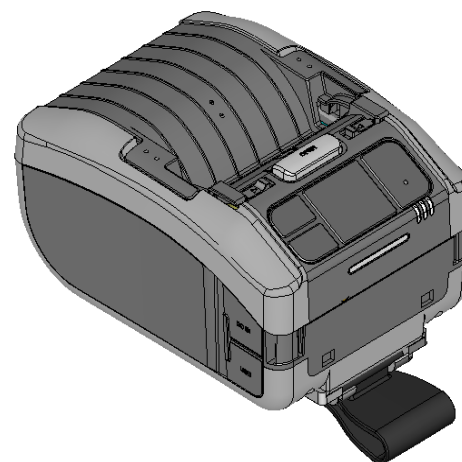
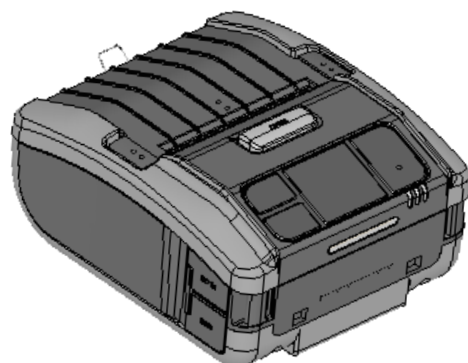




# PW208NX/PW208mNX SERVICE PARTS LIST

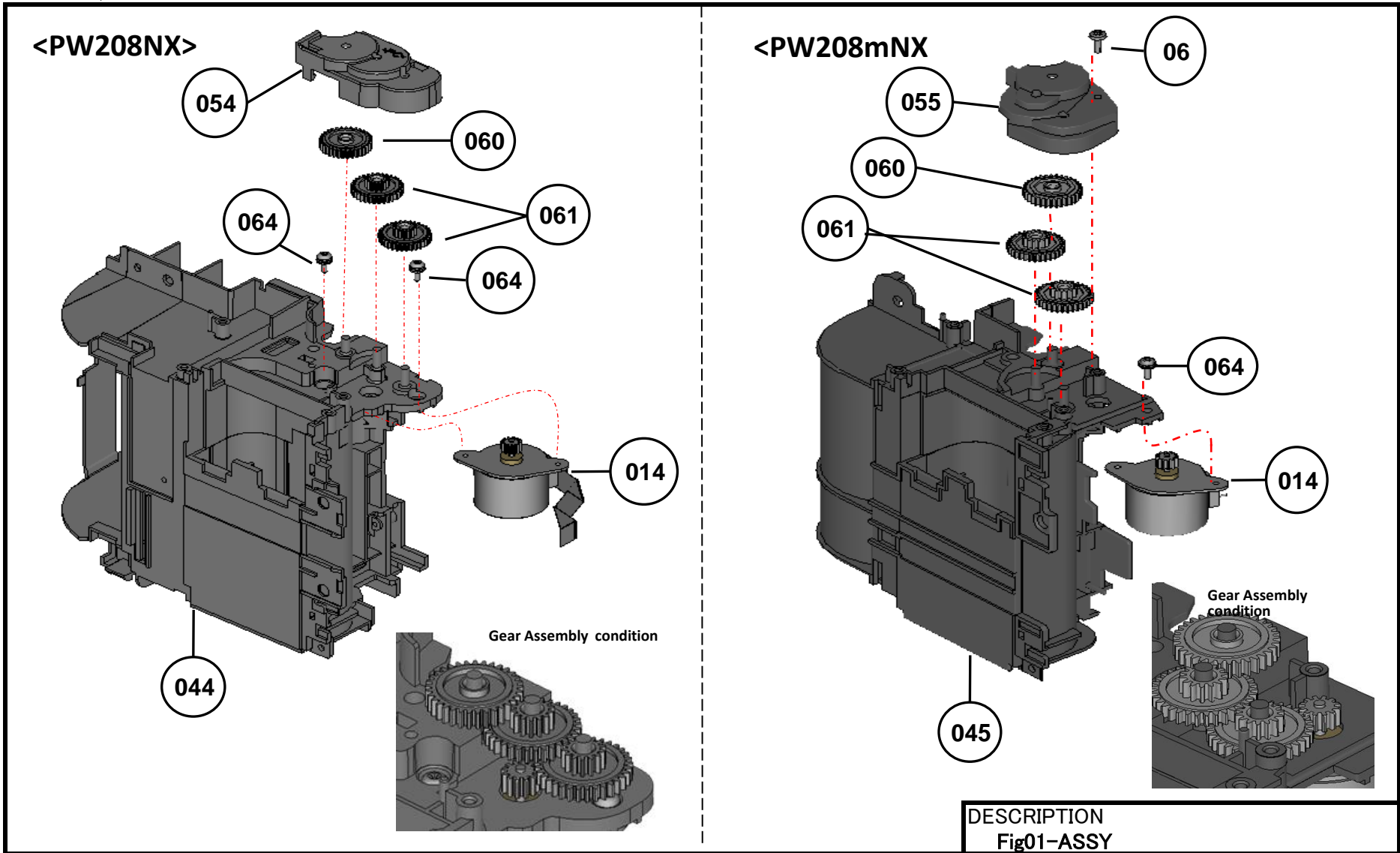


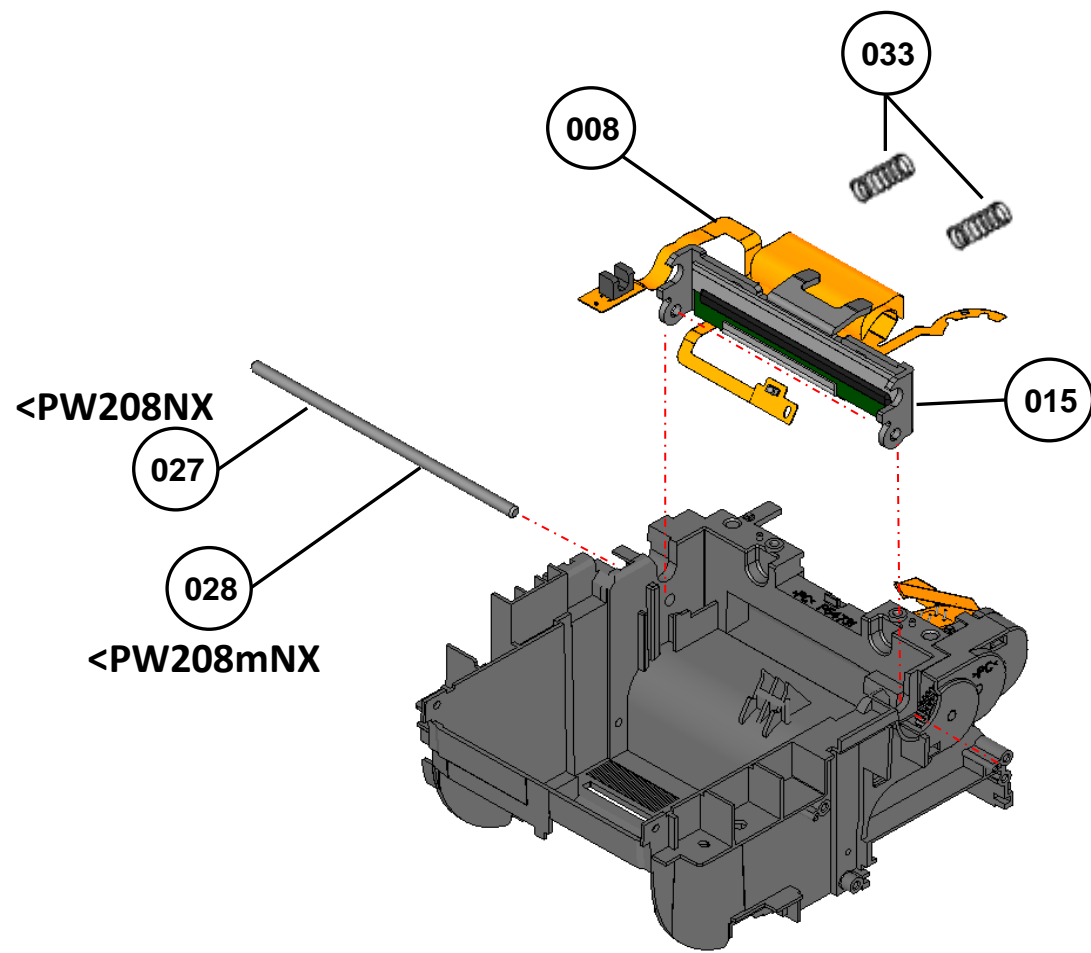
発行

PW208mNX  
WWPW26000  
WWPW2600G

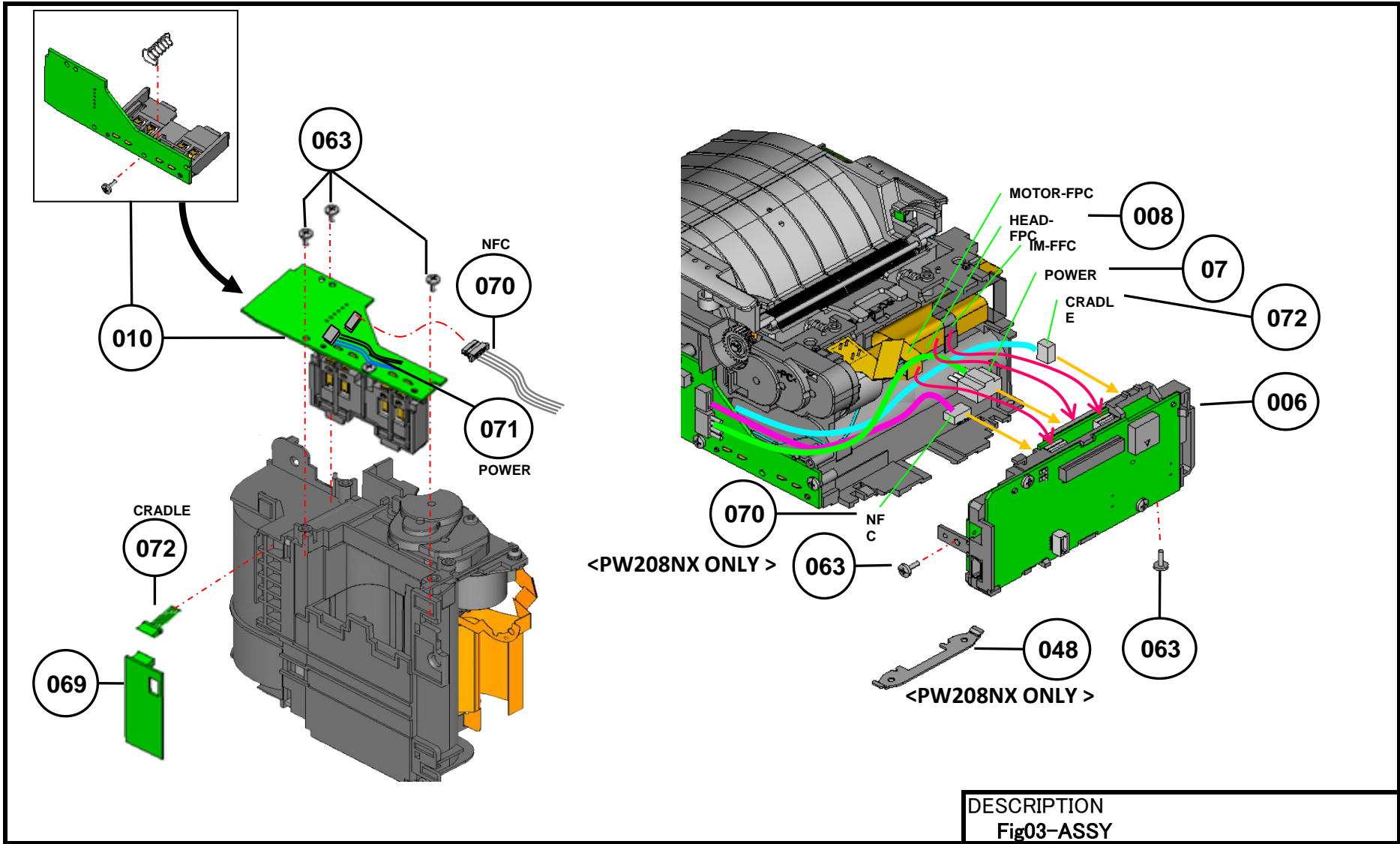
PW208NX  
WWPW24000  
WWPW24080  
WWPW2400G  
WWPW2408G

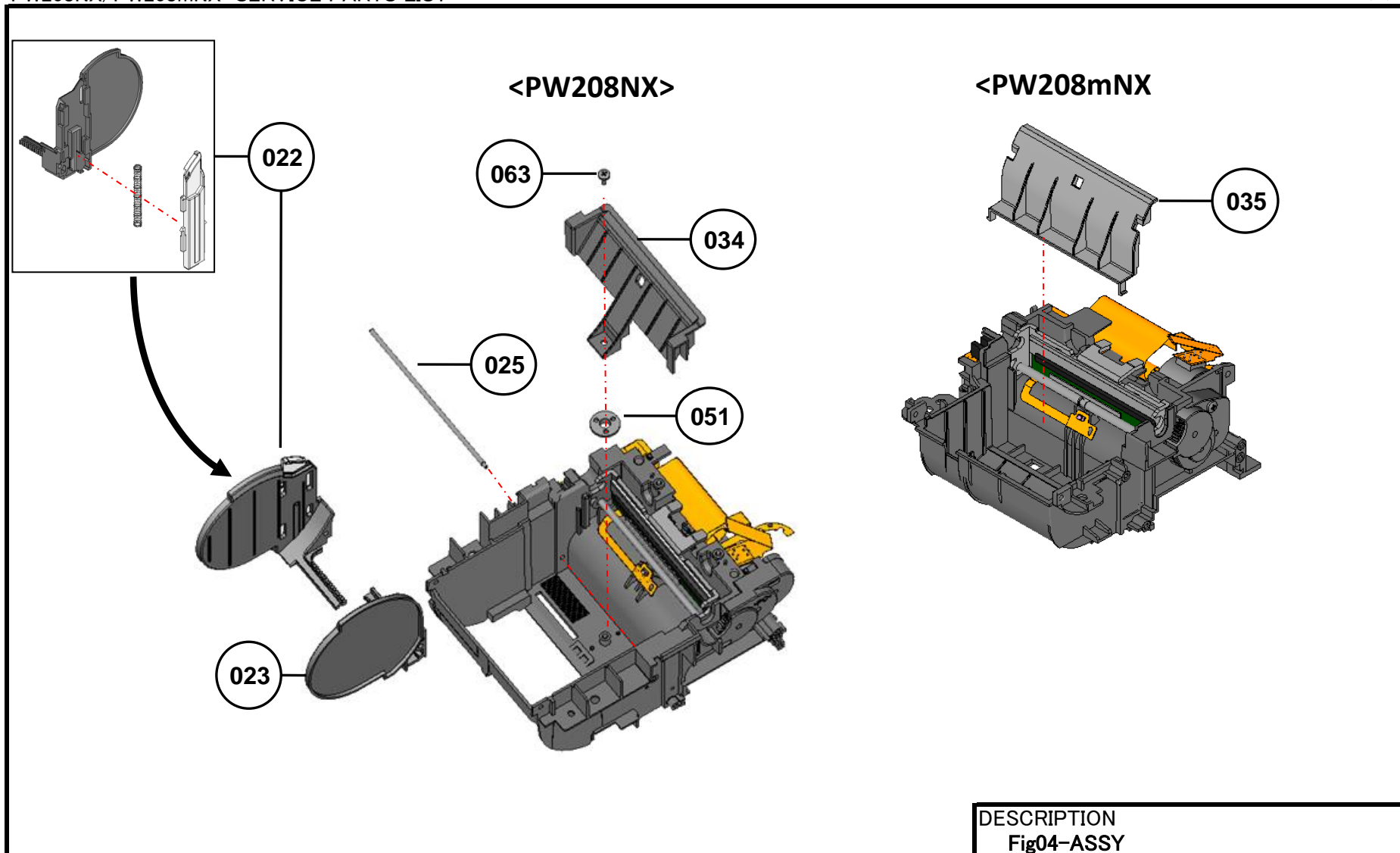
SATO CORPORATION . TOKYO. JAPAN



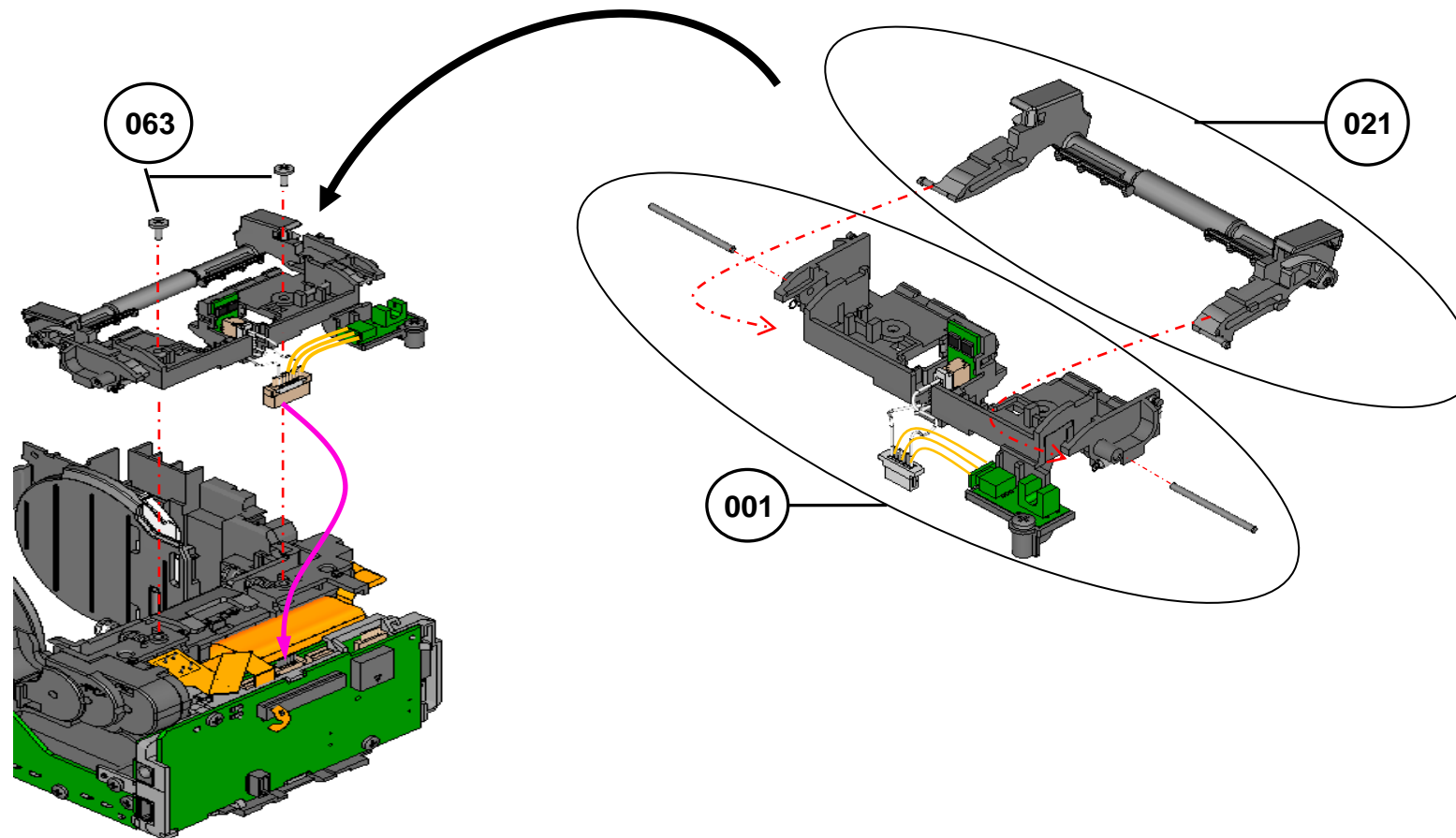


DESCRIPTION  
Fig02-ASSY

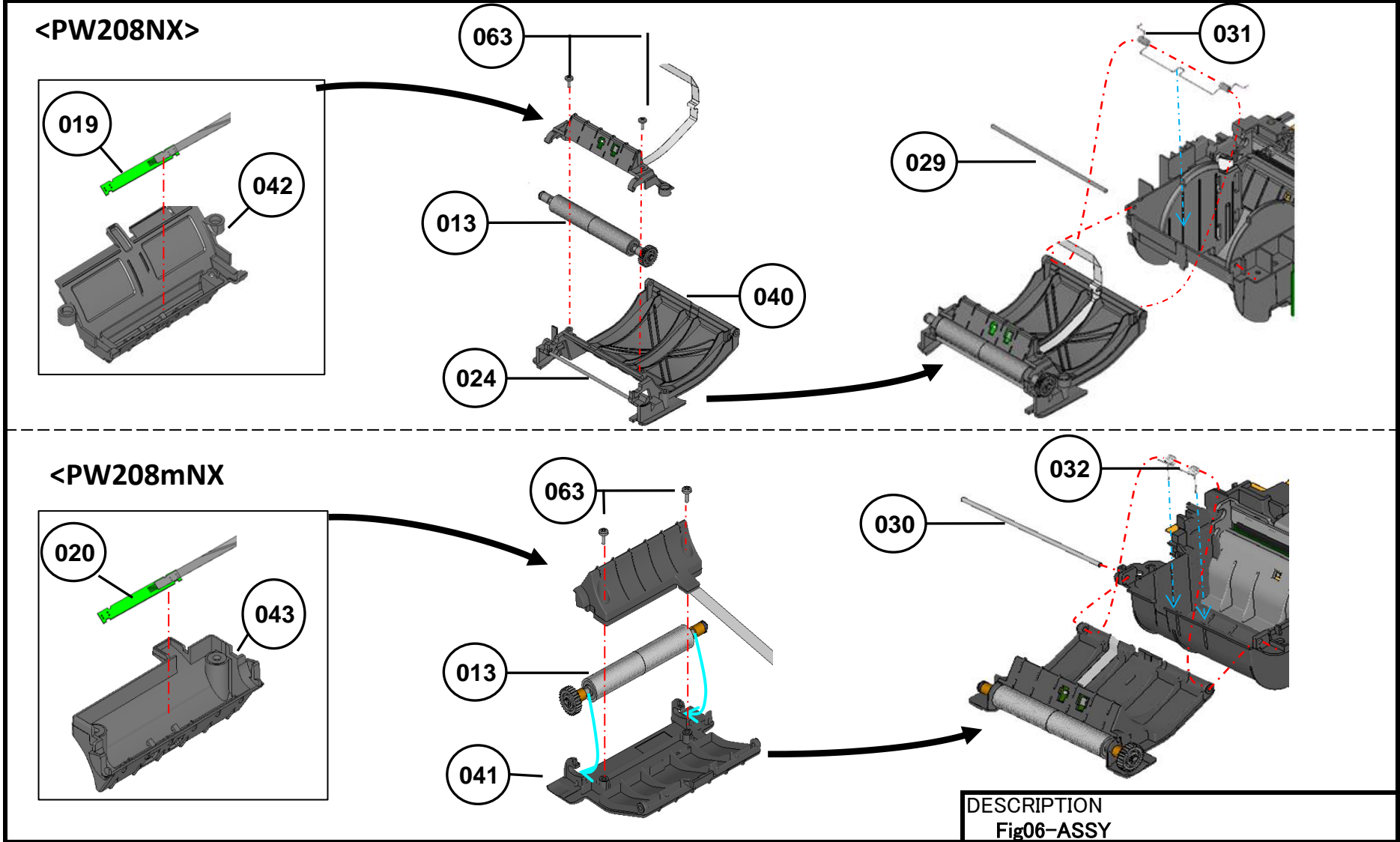




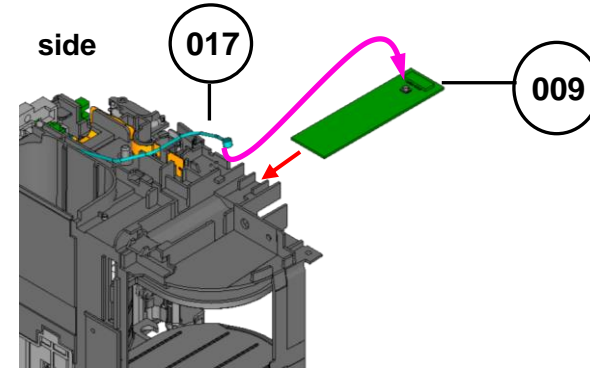
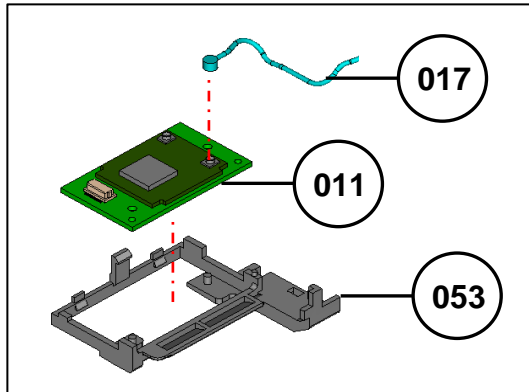
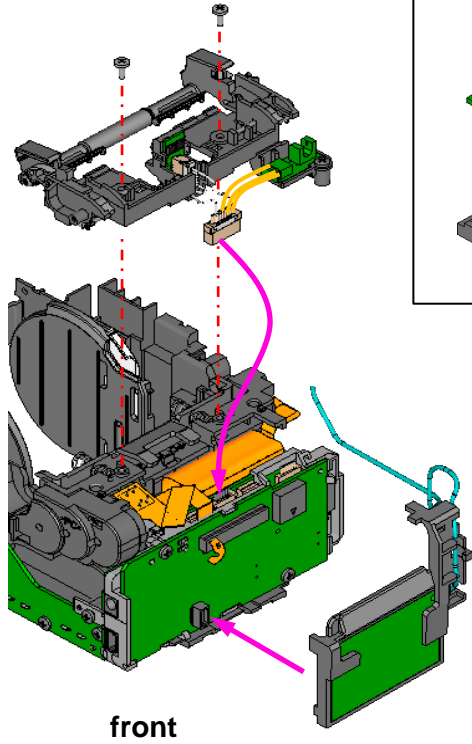
<PW208NX>



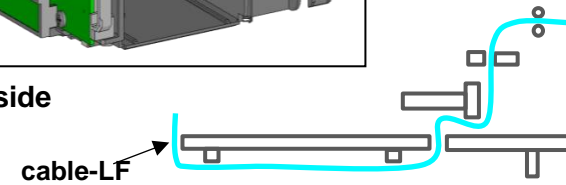
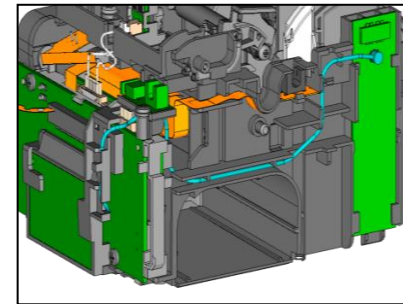
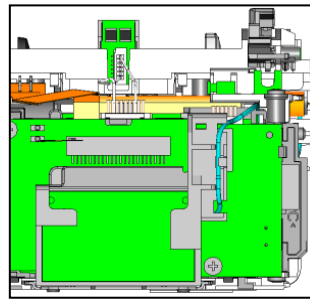
DESCRIPTION  
Fig05-ASSY



<PW208NX>

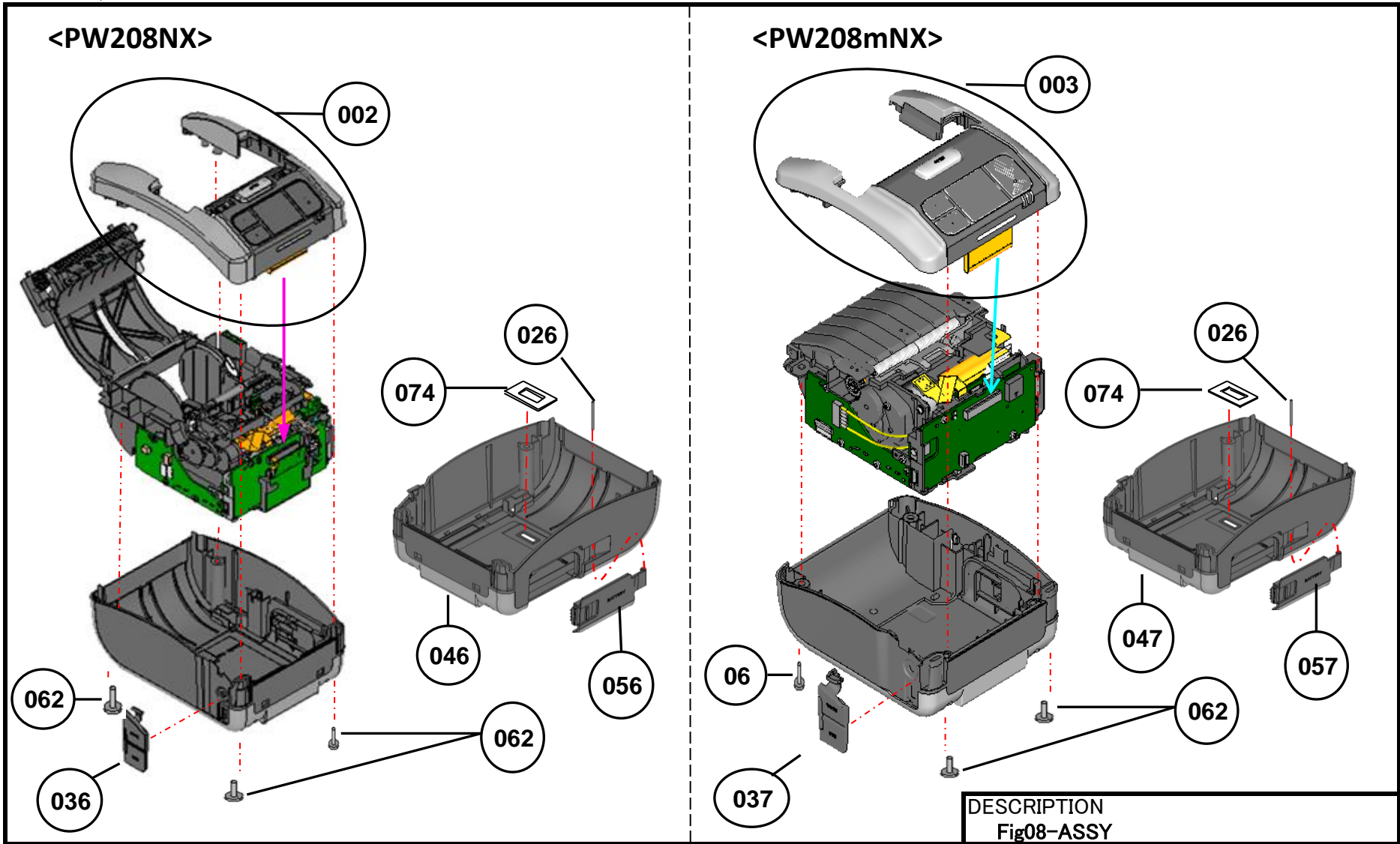


cable route

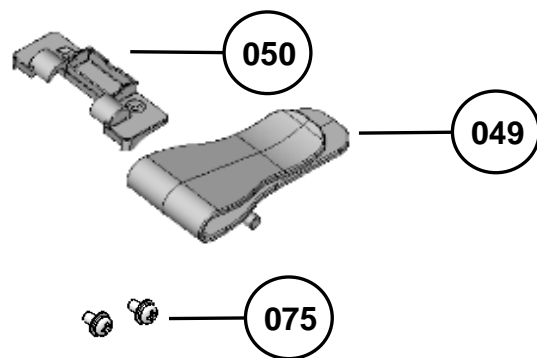
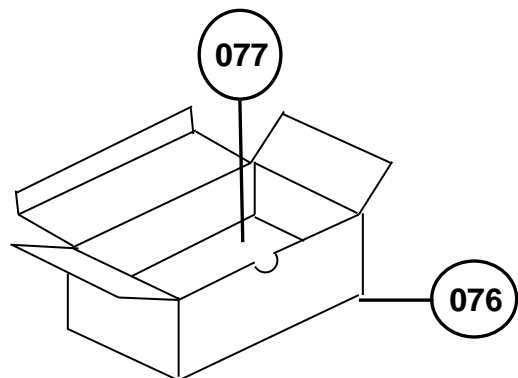


DESCRIPTION  
Fig07-ASSY

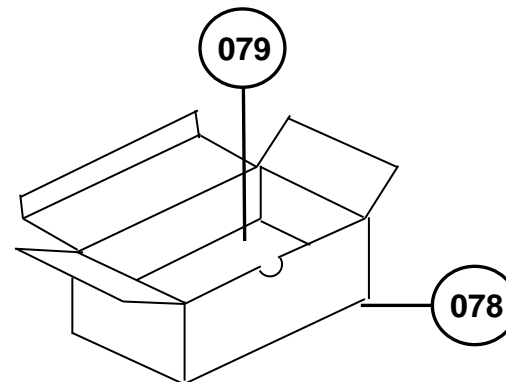




**<PW208NX>**



**<PW208mNX**



DESCRIPTION  
Fig9-ASSY

No	First Code	Description	Model	Fig	Note
1	R34595101	DISPENSE BASE SUB ASSY	PW208NX	Fig05	
2	R34319101	TOP COVER SUB ASSY	PW208NX	Fig08	
3	R34319700	TOP COVER SUB ASSY	PW208mNX	Fig08	
6	R34319605	PW2NX CONT PCB(iOS) SUB ASSY	PW208NX/PW208mNX	Fig03/Recommended Spare parts	
8	R29823001	PW2 HEAD FPC SET -LF	PW208NX/PW208mNX	Fig02,03/Recommended Spare parts	
9	R29822001	PW2-ANT PCB SET -LF	PW208NX	Fig07/Recommended Spare parts	
10	R33805300	PW2NX-CONTC PCB SUB ASSY-LF	PW208NX/PW208mNX	Fig03/Recommended Spare parts	
11	R35347800	WLAN PCB ASSY-LF	PW208NX	Fig07/Recommended Spare parts	
13	R41941100	PLATEN ROLLER SUB ASSY	PW208NX/PW208mNX	Fig06/Recommended Spare parts	
14	K00513900	STEPPING MOTOR	PW208NX/PW208mNX	Fig01/Recommended Spare parts	
15	H03297900	THERMAL HEAD SET	PW208NX/PW208mNX	Fig02/Recommended Spare parts	
17	H02708000	CABLE -LF	PW208NX	Fig07	
19	R33853500	PW2NX-IM(C)GAP PCB SET-LF(PW2NX)	PW208NX	Fig06	
20	R33853600	PW2NX-IM(C)GAP PCB SET-LF(PW2mNX)	PW208mNX	Fig06	
21	R32320301	DISPENSE ARM SET	PW208NX	Fig05	
22	P56322303	LABEL GUIDE R SET	PW208NX	Fig04	
23	P54749000	LABEL GUIDE L	PW208NX	Fig04	
24	P56170700	DISPENSE BAR	PW208NX	Fig06	
25	P56170600	SHAFT(LABEL GUIDE)	PW208NX	Fig04	
26	P56170500	SHAFT(BATTERY COVER)	PW208NX/PW208mNX	Fig08	
27	P56170400	SHAFT(HEAD BR)	PW208NX	Fig02	
28	P49752001	SHAFT(HEAD BR)	PW208mNX	Fig02	
29	P56170300	SHAFT(OPEN COVER)	PW208NX	Fig06	
30	P49750000	SHAFT(OPEN COVER)	PW208mNX	Fig06	
31	P56169900	SPRING(OPEN COVER)	PW208NX	Fig06	
32	P49749001	SPRING(OPEN COVER)	PW208mNX	Fig06	
33	P56169800	SPRING(HEAD)	PW208NX/PW208mNX	Fig02	
34	P54741001	GAP COVER	PW208NX	Fig04	
35	P55875001	GAP COVER	PW208mNX	Fig04	
36	P54736000	IF COVER	PW208NX	Fig08	
37	P55872001	IF COVER	PW208mNX	Fig08	
40	P54733004	OPEN COVER	PW208NX	Fig06	
41	P55869002	OPEN COVER	PW208mNX	Fig06	
42	P54732005	INNER COVER	PW208NX	Fig06	
43	P55868001	INNER COVER	PW208mNX	Fig06	
44	P54731005	ENGINE FRAME	PW208NX	Fig01	
45	P55867004	ENGINE FRAME	PW208mNX	Fig01	
46	R34317100	BOTTOM COVER(SILK)	PW208NX	Fig08	
47	R34319800	BOTTOM COVER(SILK)	PW208mNX	Fig08	
48	P54755000	SUPPORT PLATE	PW208NX	Fig03	
49	P54753000	BELT CLIP	PW208NX	Fig09	
50	P54752001	CLIP BASE	PW208NX	Fig09	
51	P54748000	GEAR(LABEL GUIDE)	PW208NX	Fig04	
53	P54742003	HOLDER(W-LAN)	PW208NX	Fig07	
54	P54738001	GEAR COVER	PW208NX	Fig01	
55	P49745000	GEAR COVER	PW208mNX	Fig01	
56	R34319301	BATTERY COVER SUB ASSY	PW208NX	Fig08	
57	R34323401	BATTERY COVER SUB ASSY	PW208mNX	Fig08	
60	P49734000	GEAR IDLE B	PW208NX/PW208mNX	Fig01/Recommended Spare parts	
61	P49733000	GEAR IDLE A	PW208NX/PW208mNX	Fig01/Recommended Spare parts	
62	MH0300821	PAN HEAD P TIGHT SCREW	PW208NX/PW208mNX	Fig08	
63	M16249000	BIND HEAD P TIGHT SCREW	PW208NX/PW208mNX	Fig01,03,04,05,06	
64	M16250000	PAN HEAD SCREW+SW+WS	PW208NX/PW208mNX	Fig01	
69	R33853300	PW2NX-CRADLE PCB SET-LF	PW208mNX	Fig03	
70	R33855200	NFC CABLE SET-LF	PW208NX/PW208mNX	Fig03	
71	R33853100	POWER CABLE SET-LF	PW208NX/PW208mNX	Fig03	
72	R33855100	CRADLE CABLE SET-LF	PW208NX/PW208mNX	Fig03	
74	P58095901	CUSHION(CRADLE)	PW208NX/PW208mNX	Fig08	
75	MD4200627	PAN HEAD SCREW+SW+WL	PW208NX	Fig09	
76	Q04966501	CARTON CASE(PRINT)	PW208NX	Fig09	SEG modified 13.Mar.2019 Q04966500 -> Q04966501
77	Q04954601	PAD	PW208NX	Fig09	SEG modified 13.Mar.2019 Q04954600 -> Q04954601
78	Q04965801	CARTON CASE(PRINT)	PW208mNX	Fig09	SEG modified 13.Mar.2019 Q04965800 -> Q04965801
79	Q04956501	PAD	PW208mNX	Fig09	SEG modified 13.Mar.2019 Q04956500 -> Q04956501

