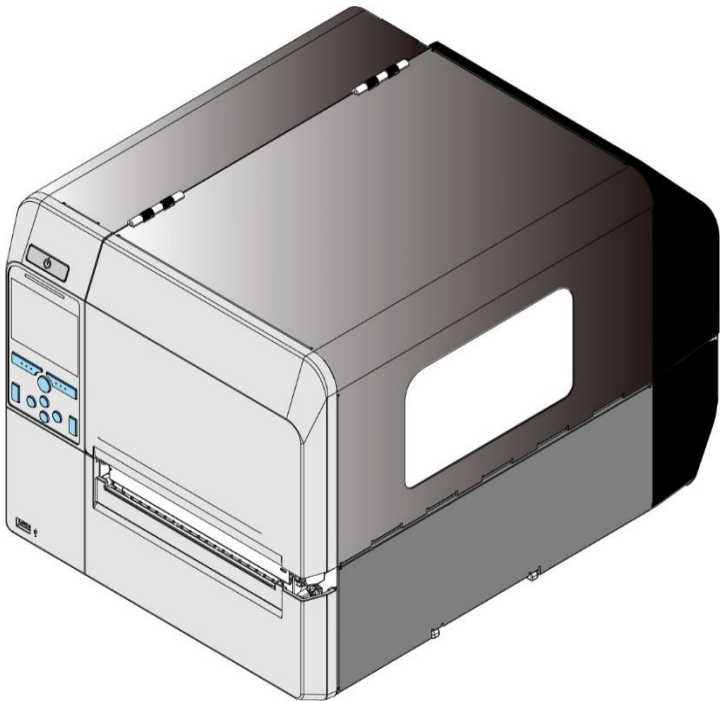




Service Parts

CL6NX PLUS



Version: CL6NX PLUS-r02-22-10-20SP

© 2020 SATO Corporation.

All rights reserved.

FIG-2

MAIN ASSY-1

*1: PLATEN, HEAD SUB ASSY

FIG-3

MAIN ASSY-2

*1: POWER UNIT ASSY

FIG-4

MAIN ASSY-3

FIG-5

MAIN ASSY-4

*1: HO RB PCB, SENSOR

FIG-6

MAIN ASSY-5

*1: TORQUE LIMITER

FIG-7

OPEN COVER ASSY

FIG-8

CONTROL PANEL ASSY

*1: CLNX KB PCB ASSY

FIG-9

CONT PCB ASSY

*1: CLNX-CONT-S PCB ASSY

FIG-10

GEAR ASSY

*1: TIMING BELT

FIG-11

LABEL HOLDER ASSY

FIG-12

ENGINE BASE ASSY / MAIN BASE

FIG-13

RIBBON REWIND / RIBBON UNWIND

FIG-14

DAMPER ASSY(J)

FIG-15

HEAD ASSY-1

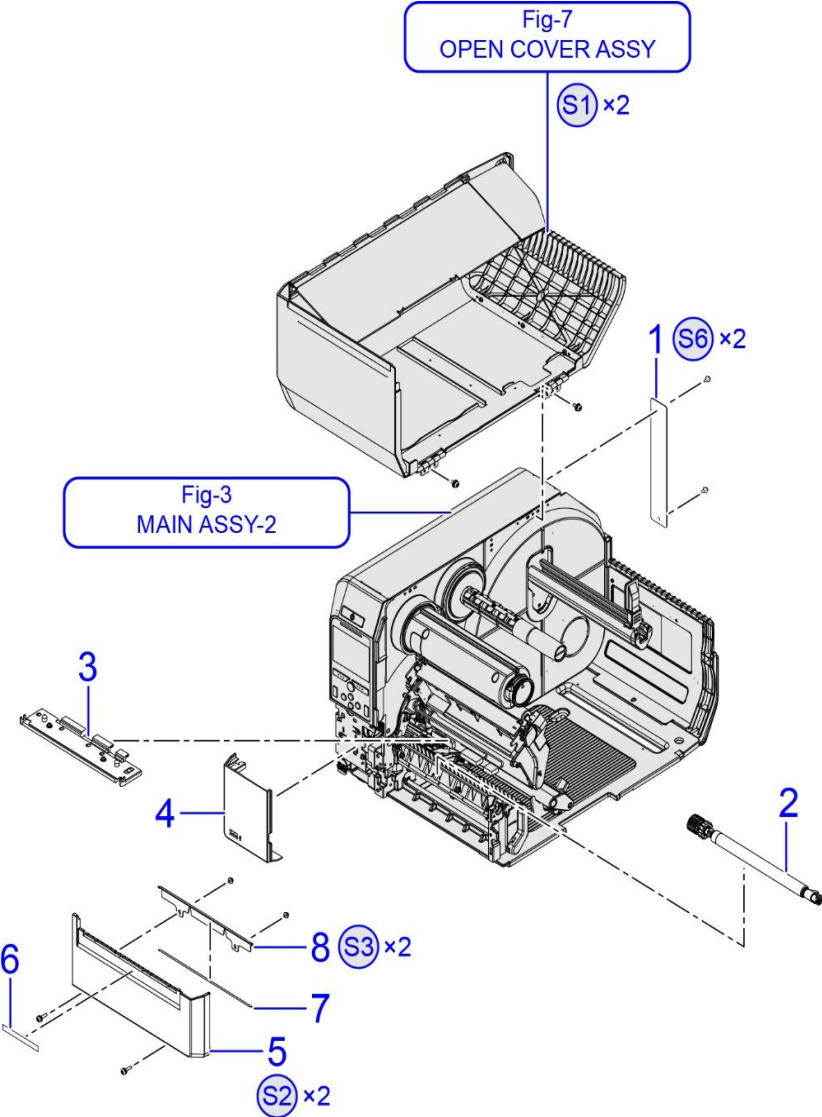
FIG-16

HEAD ASSY-2

***1: Recommended Spare parts**

MAIN ASSY-1

TOP

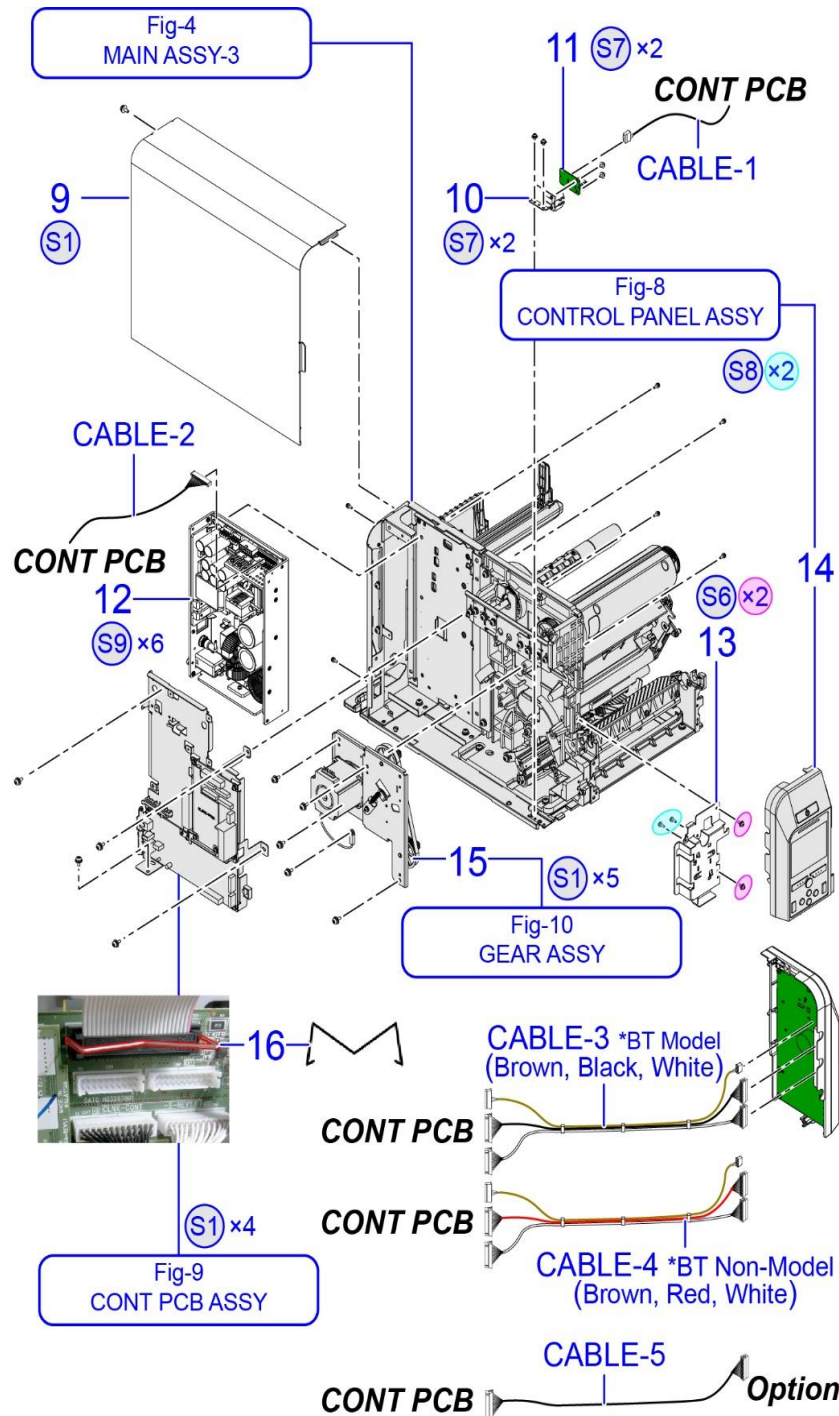


No.	FIRST CODE	DESCRIPTION	NOTE
1	P54785000	IF COVER (STD)	FIG-2
S6	MD4300821	PAN HEAD SCREW+SW+WL	FIG-2
2	R38353500	PLATEN S/A (PL)	*1 FIG-2
3	R38747500	HEAD SUB ASSY(8)	*1, 203dpi FIG-2
3	R38747600	HEAD SUB ASSY(12)	*1, 305dpi FIG-2
4	P53096000	FRONT COVER UNDER LH	FIG-2
5	P56176700	FRONT COVER UNDER RH	FIG-2
S2	MD3401228	PAN HEAD SCREW+SW+WS	FIG-2
6	Q04254000	STICKER(TEAR OFF)	FIG-2
7	P56209800	SHEET(TEAR OFF)	FIG-2
8	P56217001	TEAR OFF CUTTER	FIG-2
S3	MD4300522	PAN HEAD SCREW+SW+WL	FIG-2
<u>Fig-7</u>		<u>OPEN COVER ASSY</u>	
S1	MD4401022	PAN HEAD SCREW+SW+WL	FIG-2

NOTE *1: Recommended Spare parts

MAIN ASSY-2

[TOP](#)

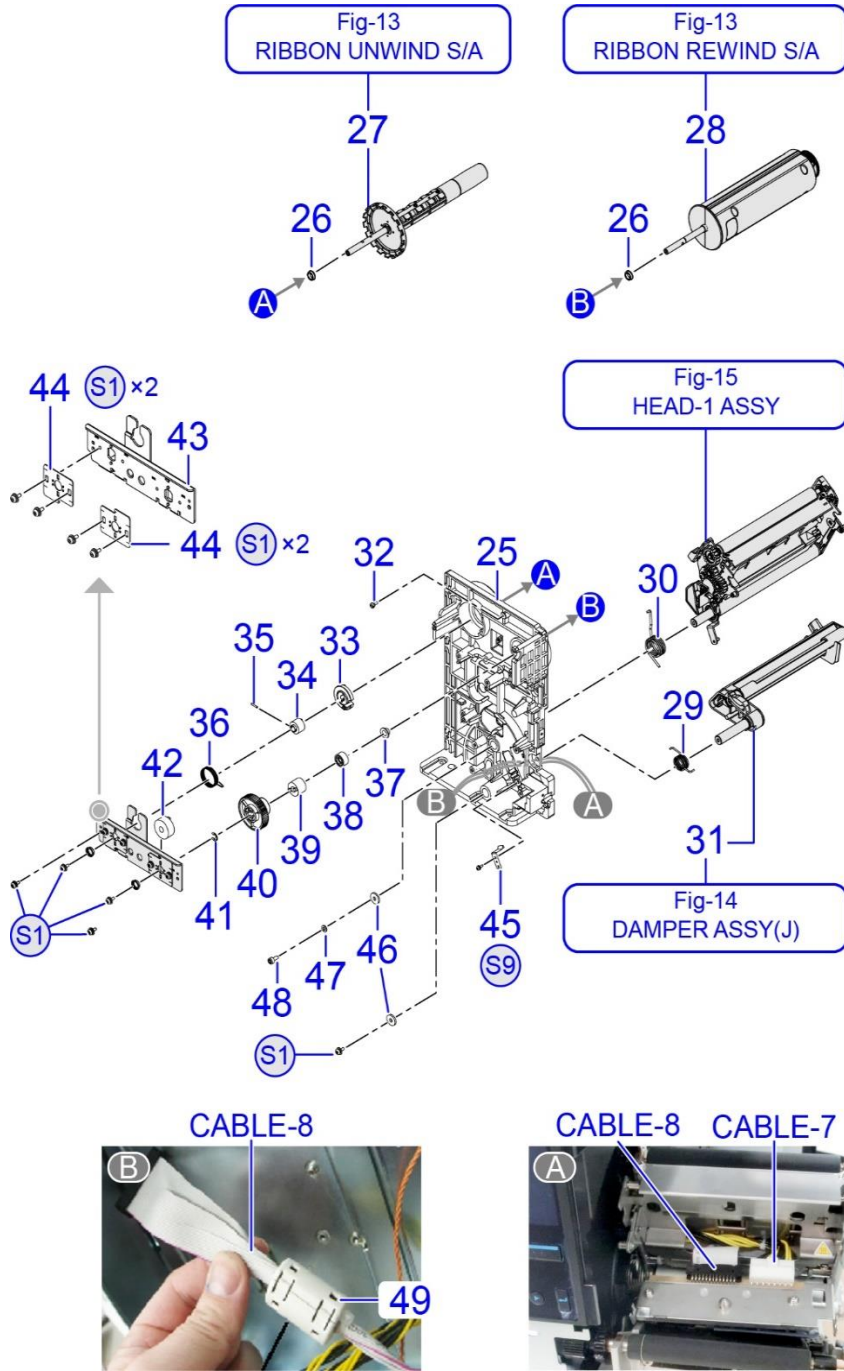


No.	FIRST CODE	DESCRIPTION	NOTE
9	R27582000	COVER LH SET	FIG-3
S1	MD4401022	PAN HEAD SCREW+SW+WL	FIG-3
10	P53115000	USB PCB BR	FIG-3
S7	MD4300621	PAN HEAD SCREW+SW+WL	FIG-3
11	R28364000	CL4NX USB PCB ASSY -LF	*1 FIG-3
CABLE-1	R28426000	USB HOST CABLE SET-LF	FIG-3
S7	MD4300621	PAN HEAD SCREW+SW+WL	FIG-3
12	K00517900	POWER UNIT-LF	*1 FIG-3
CABLE-2	R32197300	POWER SUPPLY CABLE SET-LF	FIG-3
S9	MD3300822	PAN HEAD SCREW+SW+WS	FIG-3
13	P53114000	CONT PCB BR	FIG-3
S6	MD4300821	PAN HEAD SCREW+SW+WL	FIG-3
14	R38805900	CONTROL PANEL ASSY (PLUS)	Fig-8 FIG-3
CABLE-3	R32514000	KB CABLE (NFC) SET-LF	BT Model FIG-3
CABLE-4	R33111100	KB CABLE(NON-BT,NFC) SET-LF	Non-BT Model FIG-3
S8	M16208000	BIND HEAD P TIGHT SCREW	FIG-3
15	R29788003	GEAR BRACKET ASSY	FIG-3
S1	MD4401022	PAN HEAD SCREW+SW+WL	FIG-3
16	PC9730100	SPRING(LOCK)	FIG-3
Fig-8		CONTROL PANEL ASSY	
Fig-9		CONT PCB ASSY	
S1	MD4401022	PAN HEAD SCREW+SW+WL	FIG-3
Fig-10		GEAR ASSY	
CABLE-5	R28425000	OPTION CABLE SET-LF	FIG-3

NOTE *1: Recommended Spare parts

MAIN ASSY-5

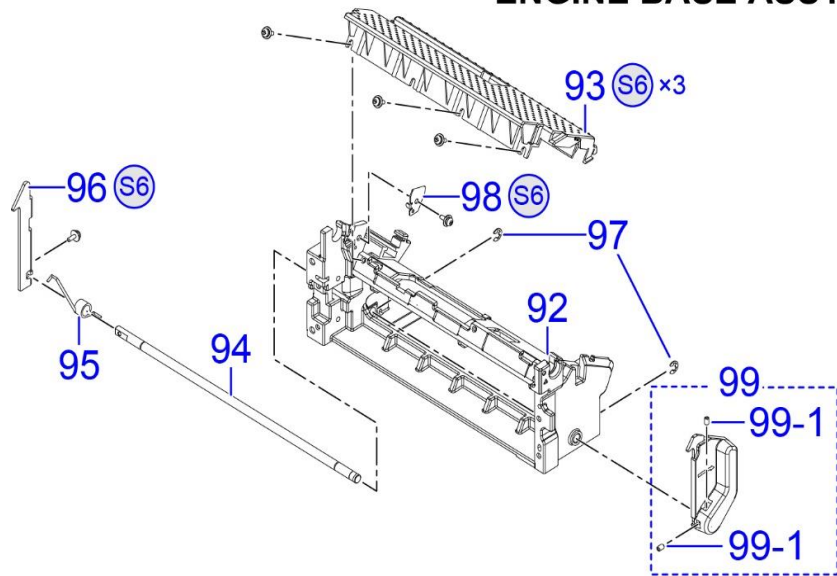
[TOP](#)



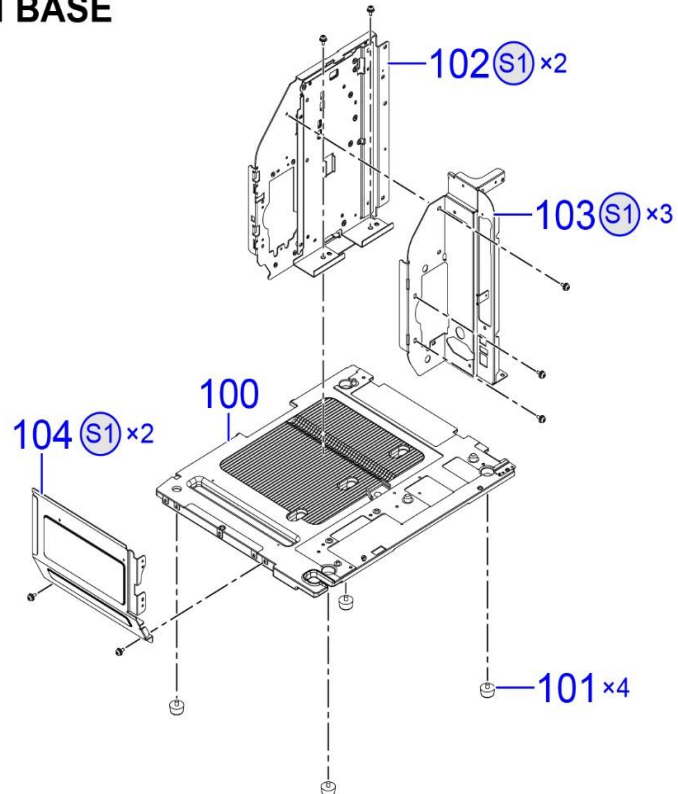
No.	FIRST CODE	DESCRIPTION	NOTE
25	P52952009	CENTER FRAME	FIG-6
26	PT1112080	BALL BEARING	FIG-6
27	R32170800	RIBBON UNWIND S/A	Fig-13 FIG-6
28	R32170300	RIBBON REWIND S/A	Fig-13 FIG-6
29	P56213100	SPRING(HEAD UP)	FIG-6
30	P56209300	SPRING(DAMPER BASE)	FIG-6
31	R32163504	DAMPER ASSY	Fig-14 FIG-6
32	P53598000	PIN(COVER LH)	FIG-6
33	P11280010	BF STOPPER	FIG-6
34	P12267000	TORQUE LIMITER	*1 FIG-6
35	MA0200821	PAN HEAD SCREW	FIG-6
36	P56412101	BF SPRING	FIG-6
37	P32582000	BUSH	FIG-6
38	P11461000	ONEWAY CLUTCH	FIG-6
39	P56354100	TORQUE LIMITER	*1 FIG-6
40	P52962000	GEAR C(0_6*81)	FIG-6
41	ND0060030	E SNAP RING	FIG-6
42	P56344800	ONE-WAY LIMITTER	FIG-6
43	P56225400	RIBBON FRAME	FIG-6
44	P56217900	AJ PLATE(RIBBON SH)	FIG-6
S1	MD4401022	PAN HEAD SCREW+SW+WL	FIG-6
45	P53139000	SENSOR CASE TENSION	FIG-6
S9	MD3300822	PAN HEAD SCREW+SW+WS	FIG-6
46	PA0720100	COLLAR(5*16*2.3)	FIG-6
47	NB0050022	SPRING WASHER	FIG-6
48	MN1501030	HEX BOLT	FIG-6
S1	MD4401022	PAN HEAD SCREW+SW+WL	FIG-6
CABLE-7	R32114800	HEAD POWER CABLE SET-LF	FIG-6
CABLE-8	R28428000	HEAD SIGANL CABLE SET-LF	FIG-6
49	K00396000	FERRITE CORE-LF	FIG-6
Fig-15		HEAD-1 ASSY	

NOTE *1: Recommended Spare parts

ENGINE BASE ASSY



MAIN BASE



ENGINE BASE ASSY

TOP

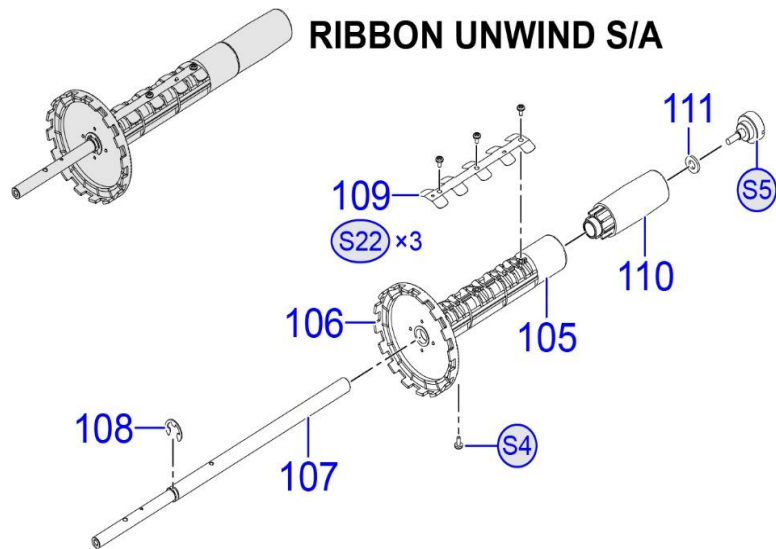
No.	FIRST CODE	DESCRIPTION	NOTE
92	P61475903	ENGINE FRAME SRA	FIG-12
93	P56210100	MEDIA GUARD	FIG-12
S6	MD4300821	PAN HEAD SCREW+SW+WL	FIG-12
94	P56210000	SHAFT(HOOK)	FIG-12
95	P53616000	SPRING(HOOK)	FIG-12
96	P52954000	HEAD LOCK PLATE LH	FIG-12
S6	MD4300821	PAN HEAD SCREW+SW+WL	FIG-12
97	ND0040022	E SNAP RING	FIG-12
98	P52973000	LABEL GUIDE LH(F)	FIG-12
S6	MD4300821	PAN HEAD SCREW+SW+WL	FIG-12
99	R30541000	HEAD LOCK ASSY	FIG-12
99-1	MJ1400524	HEX SOCKET SET SCREW(W-POINT)	FIG-12

MAIN BASE

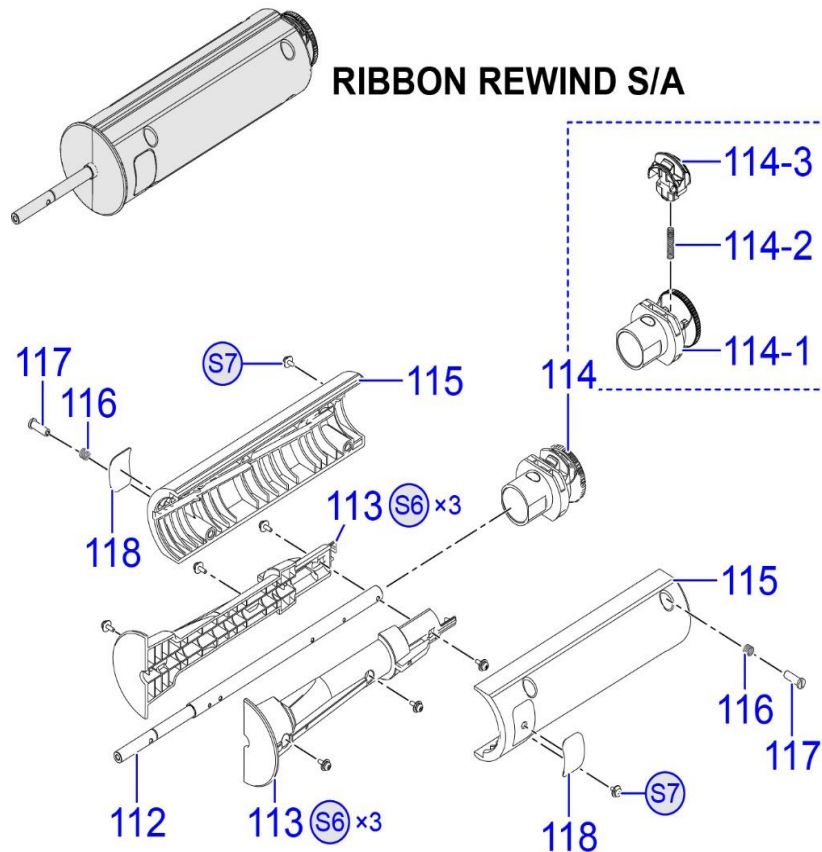
100	P56176803	BASE FRAME	FIG-12
101	P11522000	CASE LEG	FIG-12
102	R32356301	CENTER PLATE SET	FIG-12
S1	MD4401022	PAN HEAD SCREW+SW+WL	FIG-12
103	R32285303	REAR PANEL LH(SILK)	FIG-12
S1	MD4401022	PAN HEAD SCREW+SW+WL	FIG-12
104	P56225001	REAR PANEL RH	FIG-12
S1	MD4401022	PAN HEAD SCREW+SW+WL	FIG-12

NOTE *1: Recommended Spare parts

RIBBON UNWIND S/A

[TOP](#)


No.	FIRST CODE	DESCRIPTION	NOTE
105	P53006000	RIBBON BOSS	FIG-13
S4	MA0300621	PAN HEAD SCREW	FIG-13
106	P53005000	DISK PLATE	FIG-13
107	P56213601	SHAFT(RIBBON BOSS)	FIG-13
108	ND0080022	E-SNAP RING	FIG-13
109	P00626000	SPRING(RIBBON BOSS)	FIG-13
S22	MH0300522	PAN HEAD P TIGHT SCREW	FIG-13
110	P56226001	RIBBON BOSS CAP	FIG-13
111	NB0060022	SPRING WASHER	FIG-13
S5	P53642000	RIBBON BOSS SCREW	FIG-13



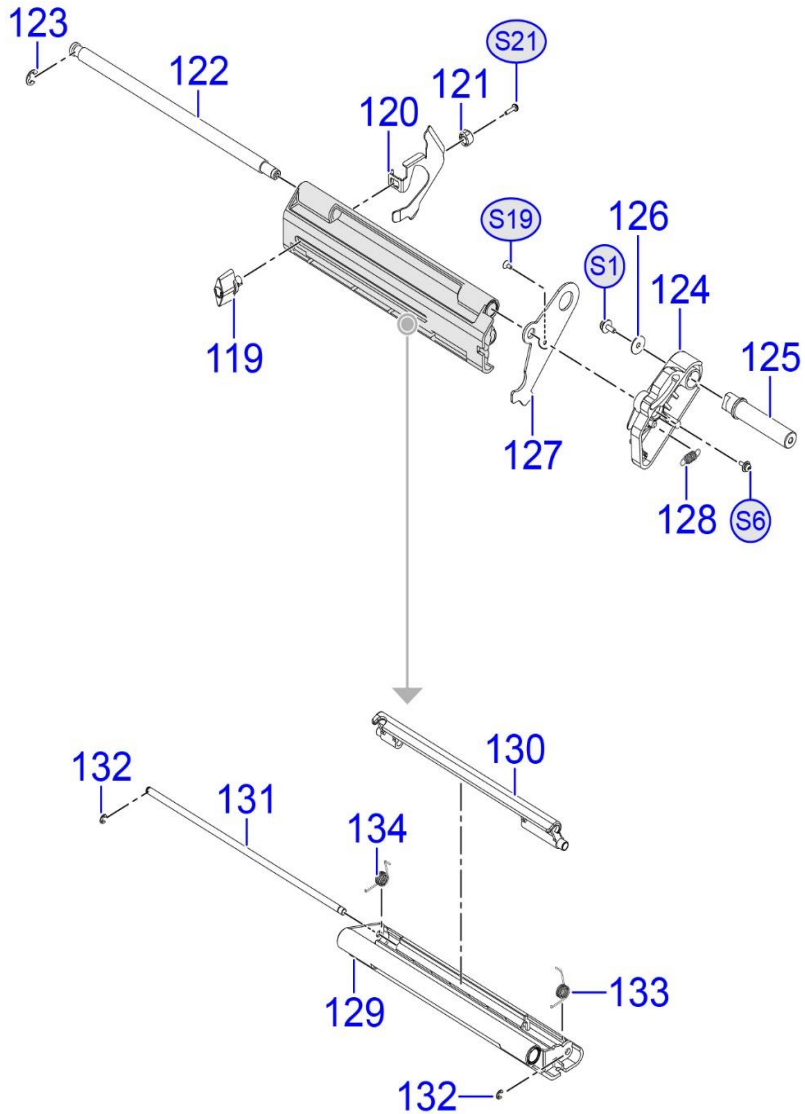
RIBBON REWIND S/A

112	P56213201	SHAFT(RIBBON CORE)	FIG-13
113	P56213302	RIBBON CORE-IN	FIG-13
S6	MD4300821	PAN HEAD SCREW+SW+WL	FIG-13
114	R29805000	RELEASE BUTTON S/A	FIG-13
114-1	P53002000	RELEASE BUTTON COVER	FIG-13
114-2	P53644000	RIBBON RELEASE SPRING	FIG-13
114-3	P53001000	RELEASE BUTTON	FIG-13
115	R32170500	RIBBON CORE (A) S/A	FIG-13
116	P40494000	SPRING(SLIDE)	FIG-13
117	P40495000	SHAFT(SLIDE)	FIG-13
118	P37081000	GRIP SHEET	FIG-13
S7	MD4300621	PAN HEAD SCREW+SW+WL	FIG-13

NOTE *1: Recommended Spare parts

DAMPER ASSY(J)

[TOP](#)

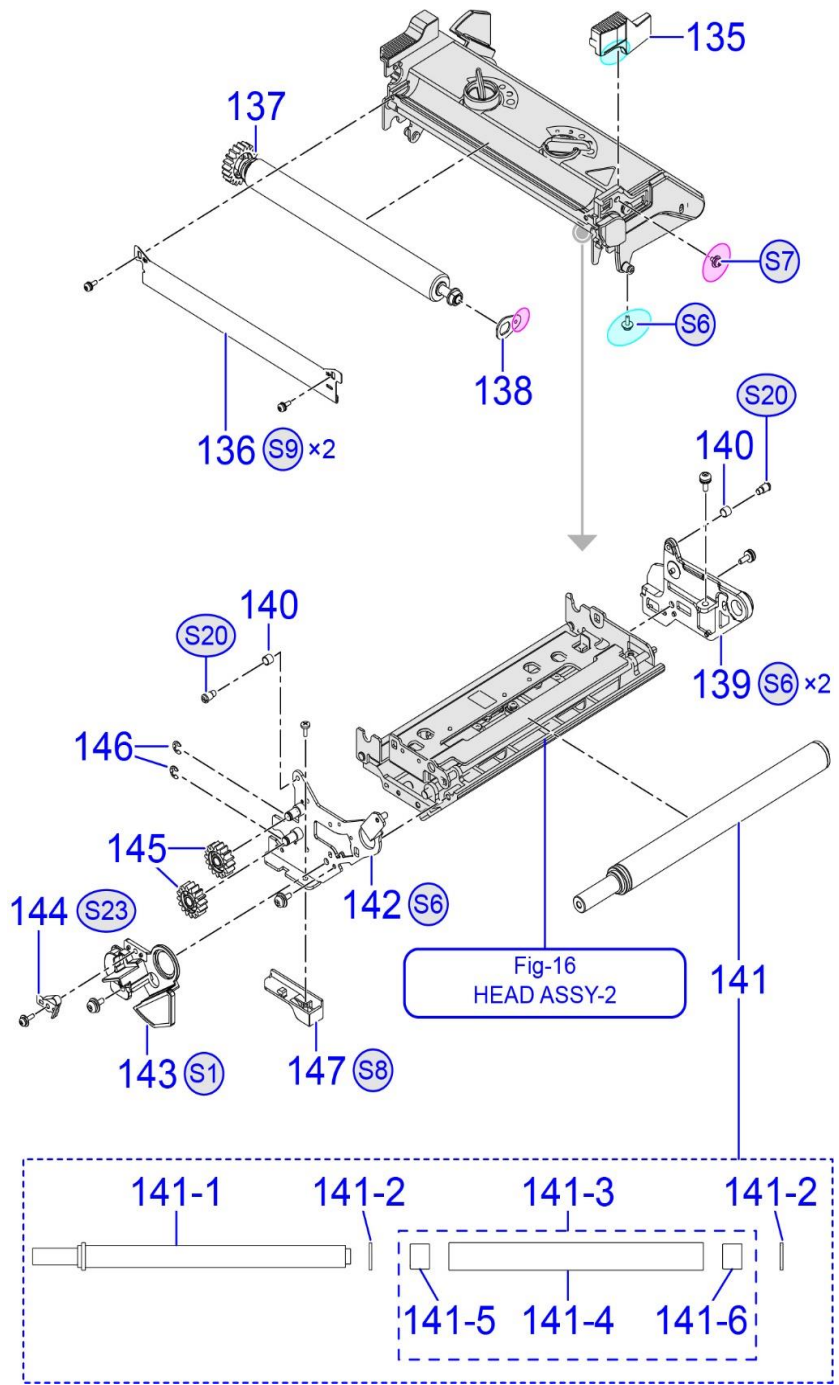


No.	FIRST CODE	DESCRIPTION	NOTE
119	P53121000	LABEL GUIDE LEVER	FIG-14
120	P60988001	LABEL GUIDE RH WIDE6	FIG-14
121	P53123000	LABEL GUIDE STOPPER	FIG-14
S21	MH0301021	PAN HEAD P TIGHT SCREW	FIG-14
122	P56208500	SHAFT(DAMPER A)	FIG-14
123	ND0060030	E SNAP RING	FIG-14
124	P52970000	DAMPER BASE	FIG-14
S6	MD4300821	PAN HEAD SCREW+SW+WL	FIG-14
125	P53638000	SHAFT(DAMPER BASE)	FIG-14
126	PA0730320	WASHER (4.2*14*1)	FIG-14
S1	MD4401022	PAN HEAD SCREW+SW+WL	FIG-14
127	P56208700	LABEL GUIDE LH(DAMPER)	FIG-14
S19	MA1300622	FLAT HEAD SCREW	FIG-14
128	P56209201	SPRING(DAMPER A)	FIG-14
129	P56208800	DAMPER HOLDER TOP	FIG-14
130	P56209000	DAMPER HOLDER UNDER	FIG-14
131	P56208600	SHAFT(DAMPER B)	FIG-14
132	ND0030030	E SNAP RING	FIG-14
133	P56208901	SPRING(DAMPER B RH)	FIG-14
134	P56209101	SPRING(DAMPER B LH)	FIG-14
			FIG-14

NOTE *1: Recommended Spare parts

HEAD ASSY-1

[TOP](#)

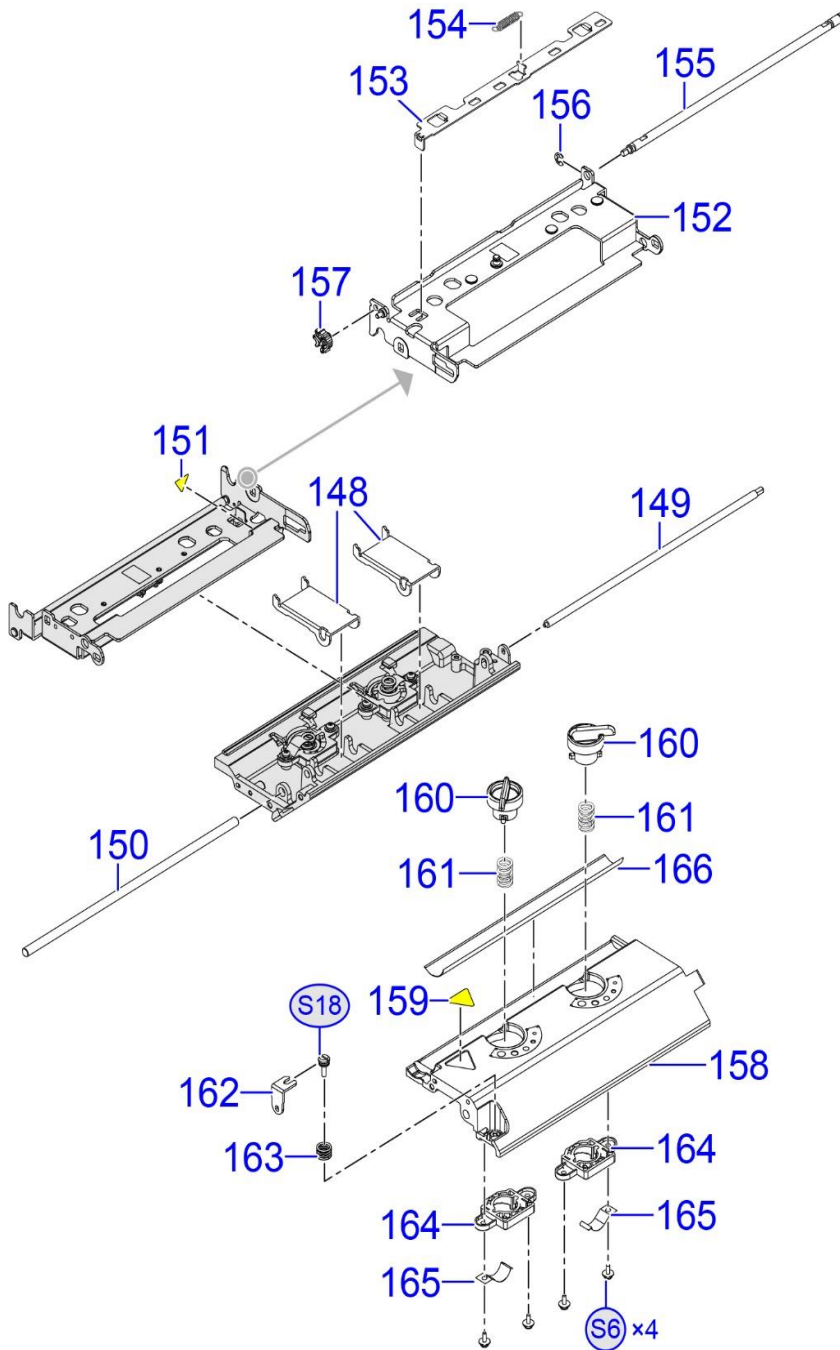


No.	FIRST CODE	DESCRIPTION	NOTE
135	P52984000	HEAD CLOSE LEVER	FIG-15
S6	MD4300821	PAN HEAD SCREW+SW+WL	FIG-15
136	P56213001	AJ PLATE(RIBBON)	FIG-15
S9	MD3300822	PAN HEAD SCREW+SW+WS	FIG-15
137	R32170100	RIBBON ROLLER S/A	FIG-15
138	P52988000	AJ PLATE(RIBBON ROLLER)	FIG-15
S7	MD4300621	PAN HEAD SCREW+SW+WL	FIG-15
139	P52966000	HEAD FRAME RH	FIG-15
S6	MD4300821	PAN HEAD SCREW+SW+WL	FIG-15
140	P41929000	COLLAR(5*6*4.8)	FIG-15
S20	P53625000	HEAD LOCK SCREW	FIG-15
141	R38821100	HEAD SHAFT S/A	FIG-15
141-1	P61654100	SHAFT(HEAD)	FIG-15
141-2	P61084102	ROLLER SPACER	FIG-15
141-3	R38821200	RIBBON PIPE S/A	FIG-15
141-4	P61654200	RIBBON PIPE	FIG-15
141-5	P61084200	DRY METAL	FIG-15
141-6	P03856000	OILES BEARING	FIG-15
142	R27444000	HEAD FRAME LH SET	FIG-15
S6	MD4300821	PAN HEAD SCREW+SW+WL	FIG-15
143	P56212700	HEAD HARNESS COVER	FIG-4
144	P52987000	SENSOR HOLD SP	
S23	MD4301022	PAN HEAD SCREW+SW+WL	
145	P52989000	GEAR H(1_25*16)	
146	ND0040022	E SNAP RING	
147	P56349001	HEAD CLOSE LEVER LH	
S8	M16208000	BIND HEAD P TIGHT SCREW	
Fig-16		HEAD ASSY-2	

NOTE *1: Recommended Spare parts

HEAD ASSY-2

[TOP](#)



No.	FIRST CODE	DESCRIPTION	NOTE
148	P56217800	HEAD PRESSURE ARM	FIG-16
149	P56212400	SHAFT(ARM)	FIG-16
150	P56212600	SHAFT(HEAD BASE)	FIG-16
151	QC6524200	STICKER(CAUTION HOT)	FIG-16
152	R32165400	HEAD BASE PLATE SET	FIG-16
153	P56211000	RELEASE PLATE	FIG-16
154	P56310900	SPRING(RELEASE)	FIG-16
155	P56211100	SHAFT(HEAD AJ)	FIG-16
156	ND0040022	E SNAP RING	FIG-16
157	P52999000	HEAD_AJ_KNOB	FIG-16
158	P56177002	HEAD FRAME	FIG-16
159	Q04255000	STICKER(CAUTION)	FIG-16
160	P52982000	HEAD PRESSURE KNOB	FIG-16
161	P56240700	SPRING(HEAD)	FIG-16
162	P52991000	AJ PLATE(HEAD)	FIG-16
163	P53626000	SPRING(HEAD AJ)	FIG-16
S18	P53627000	HEAD AJ SCREW	FIG-16
164	P56212501	HEAD PRESSURE	FIG-16
165	K00533900	FINGER	FIG-16
S6	MD4300821	PAN HEAD SCREW+SW+WL	FIG-15
166	P56412201	SHEET(RIBBON ROLLER)	FIG-16

NOTE *1: Recommended Spare parts

Z