

# 6

## Installing the Options

This chapter describes how to install the following options.

- **6.4 Installing the Optional Rotary Cutter (CL4NX Plus only)**

With the rotary cutter, you can cut the media automatically in the designated number of pages.

## 6.4 Installing the Optional Rotary Cutter (CL4NX Plus only)

### CAUTION

- Before the installation, make sure to power off the product and disconnect the power cord.
- Be careful not to touch the cutter blade.

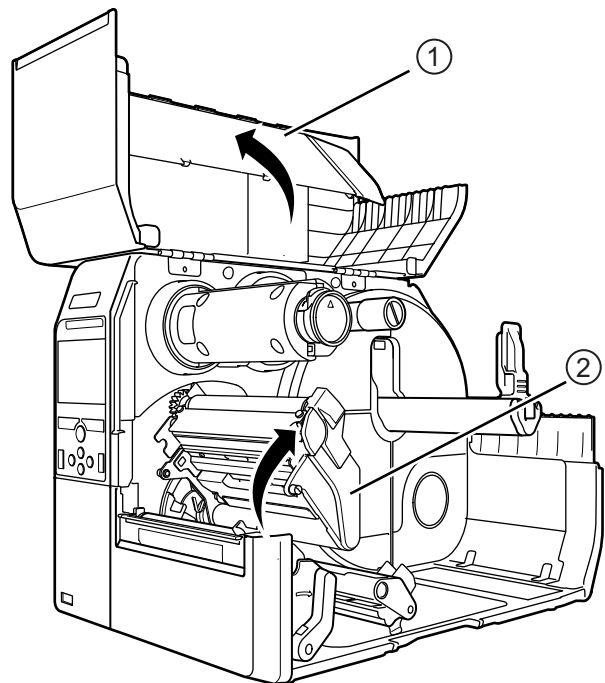
### Required tool:

- Phillips screwdriver (JIS #2 or equivalent)

**1** Open the **top cover** ① and the **print head** ②.

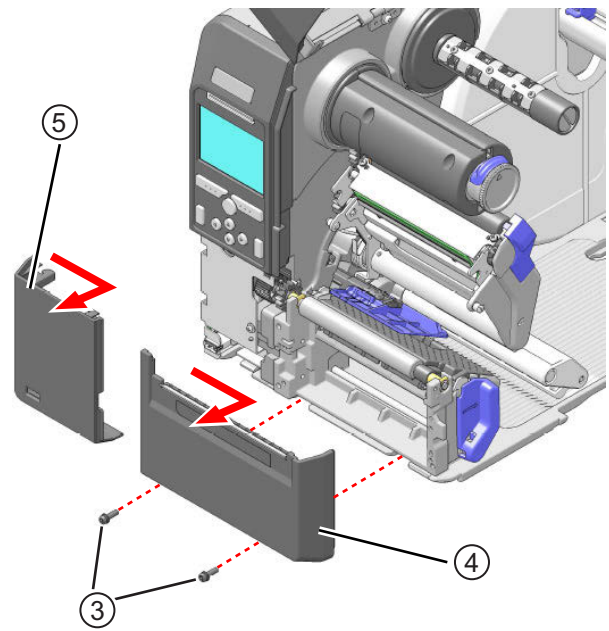
### CAUTION

Open the top cover ① fully to prevent accidental drop of the cover.

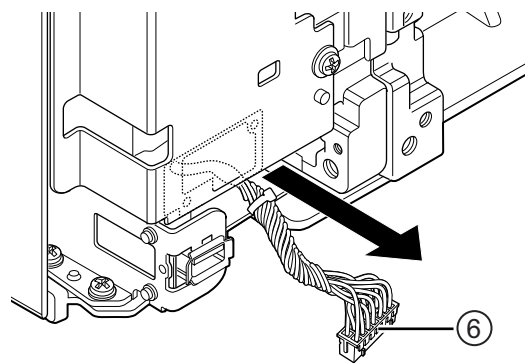


**2** Remove two **screws** ③, the **front covers** ④ and ⑤.

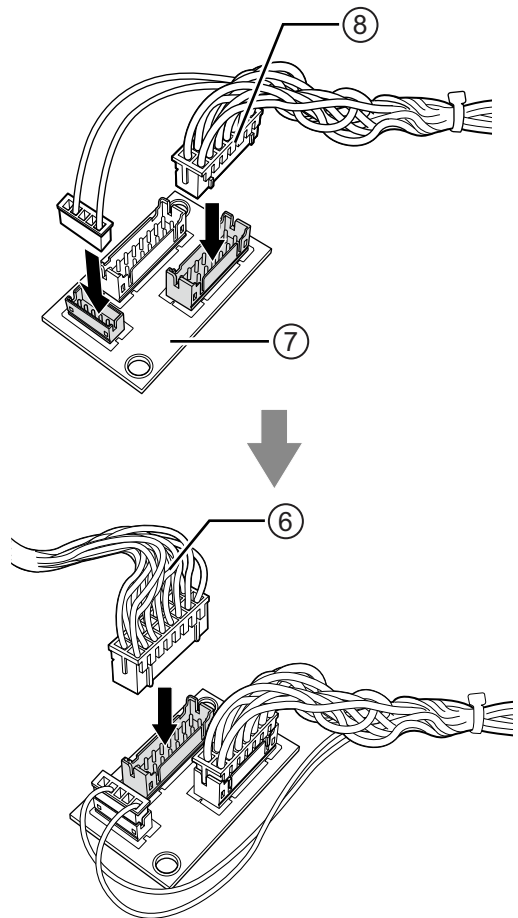
Slide in the arrow direction to remove the front cover.  
You do not use the removed front cover.



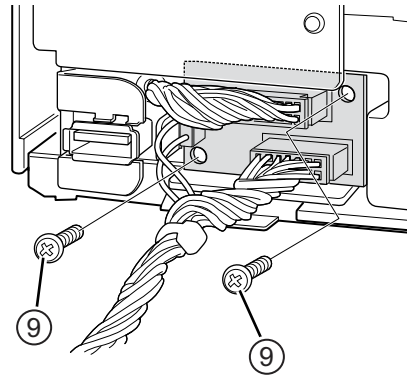
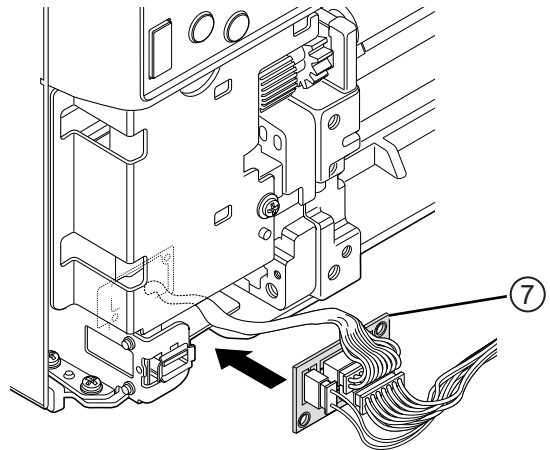
**3** Pull out the **option cable** ⑥ of the product.



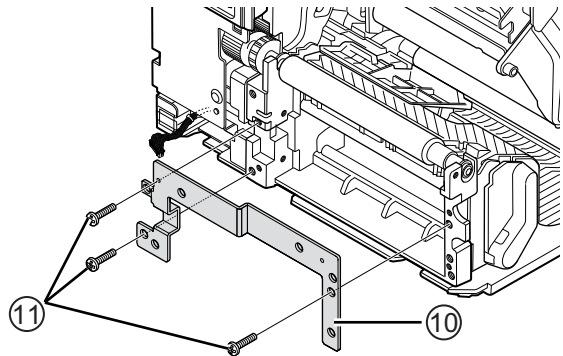
- 4** Connect the **cutter cable** ⑧ and the **option cable** ⑥ to the **Relay-PCB** ⑦.



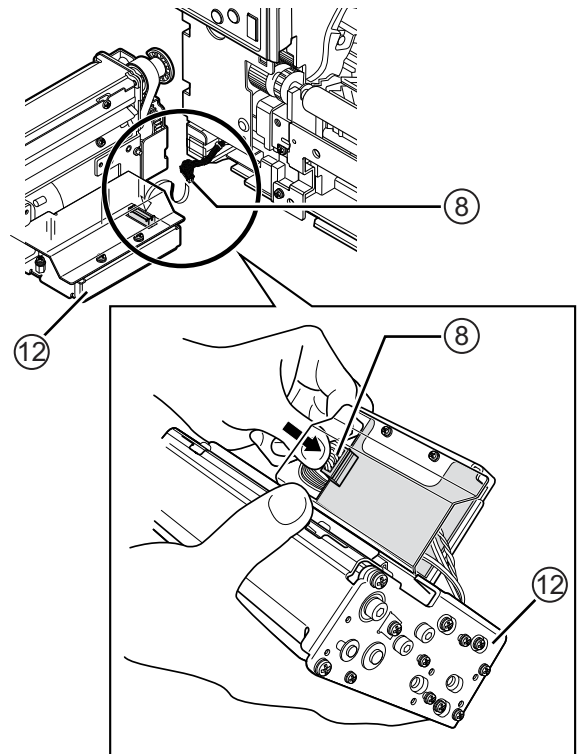
**5** Insert the **Relay-PCB** ⑦ into the product and tighten two **Relay-PCB screws** ⑨.



**6** Attach the **rotary cutter bracket** ⑩ to the product and tighten it with three **bracket screws** ⑪.

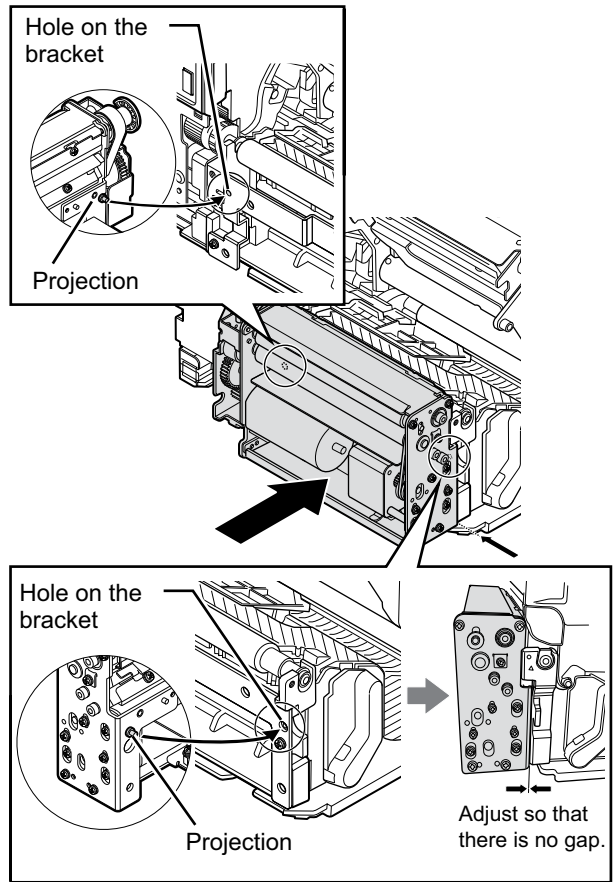
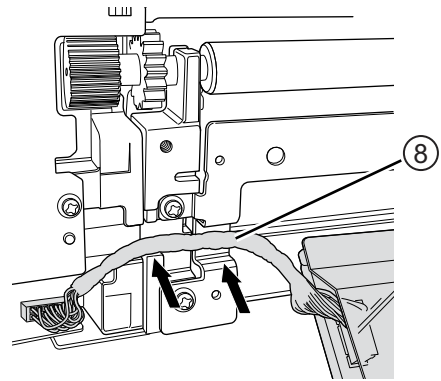


**7** Connect the other end of the **cutter cable** ⑧ to the base of the **cutter unit** ⑫.

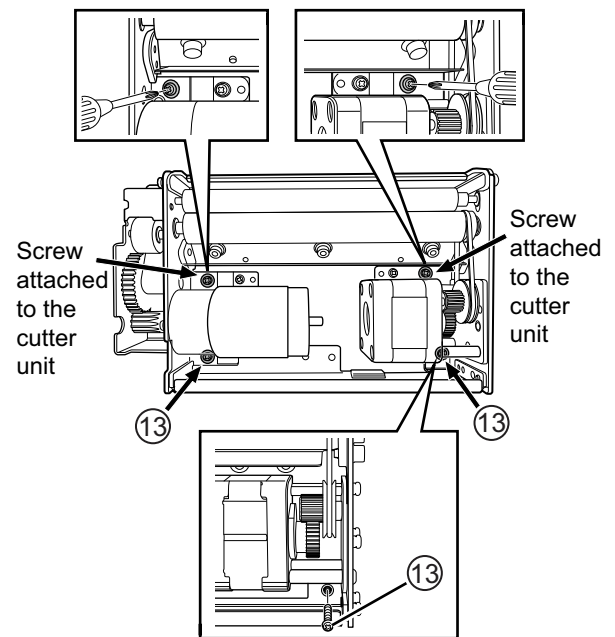


**8** With the **cutter cable** ⑧ in the groove, align the **cutter unit** ⑫ to be attached.

Align the holes on the bracket with the projections on the cutter unit. Align the cutter unit and product so that there is no gap between them.



- 9** Tighten two screws attached to the cutter unit and two cutter unit **screws** ⑬.





**10** Attach the **cover** ⑭ and tighten two **cover screws** ⑮.

1. Align the cover with the right side of the product.
2. Push the left side of the cover toward the product.
3. Move the cover to the Left.

